

**Electric Circuits (1)**

Answer the following Questions:

1- In Fig 1, using Ohm, kirchoff's laws and  $\Delta$ - Y transformation, find the unknown currents.

2- When an ammeter is used to measure the current  $i_1$  in the circuit

shown in Fig. 2 it reads 6 A. Using Norton's theorem,

a) What is the resistance of the ammeter ?

b) What is the percent error in the current measurement ?

3- Using Loop current method, find the branches currents and then check power balance in fig. 3.

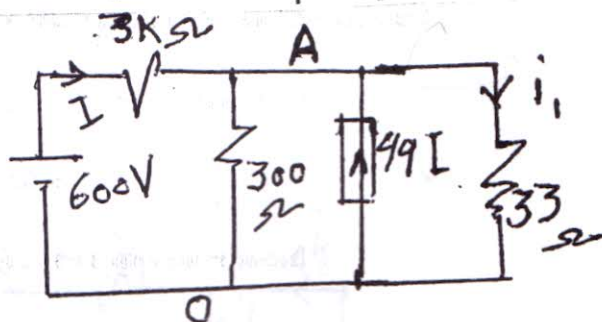
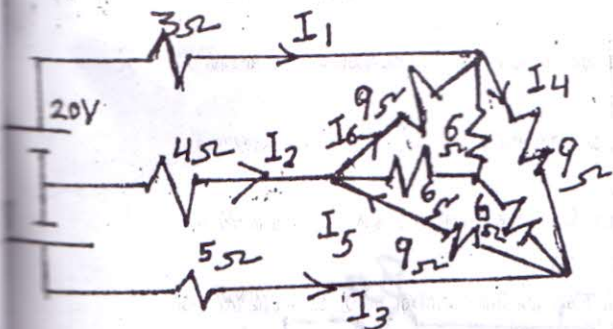
4- a: Find R to give max power transfer in Fig 4a

b- Find the average and effective value of the current in Fig 4b

5- Find the currents in Fig 5. Check active and reactive power balances

انتهت الأسئلة

افرض اى معلومات ناقصة



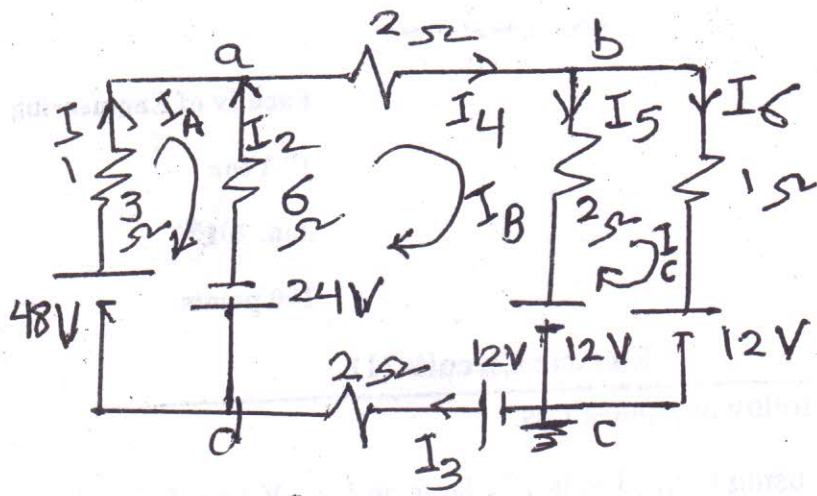


Fig 3

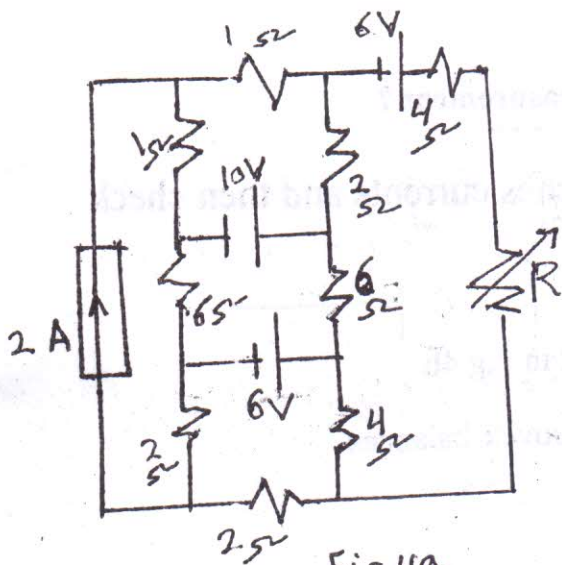


Fig 4a

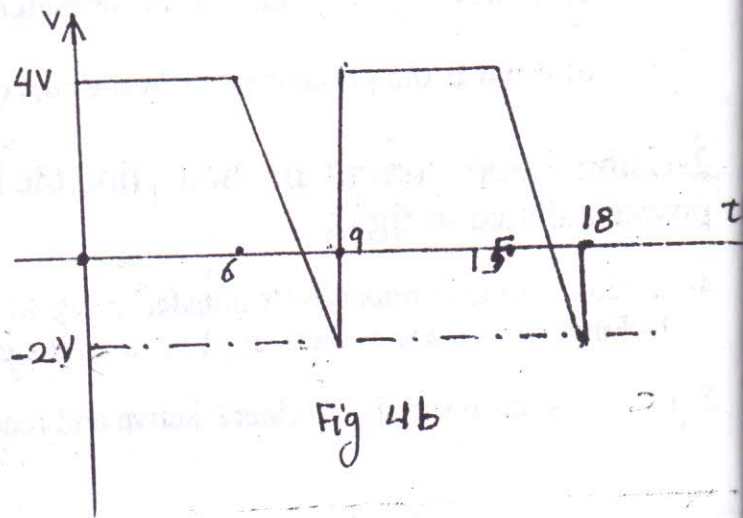


Fig 4b

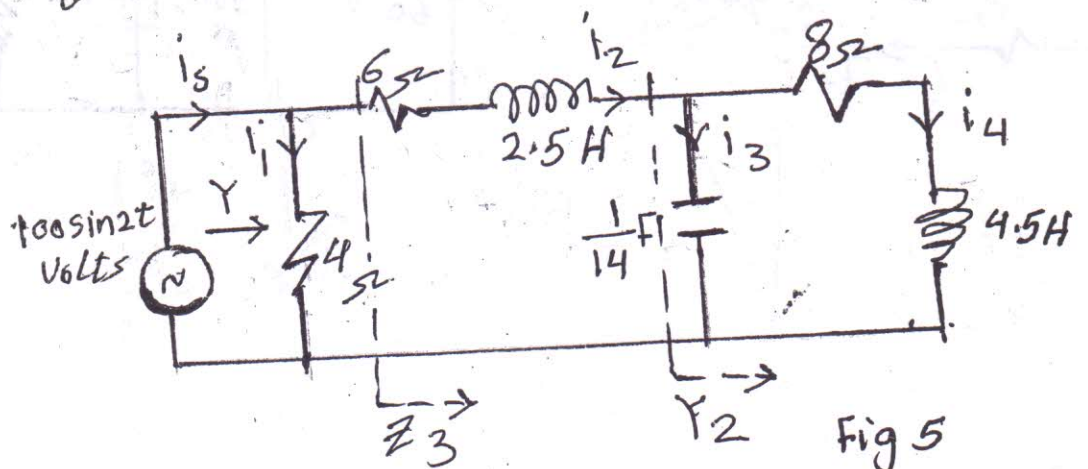


Fig 5